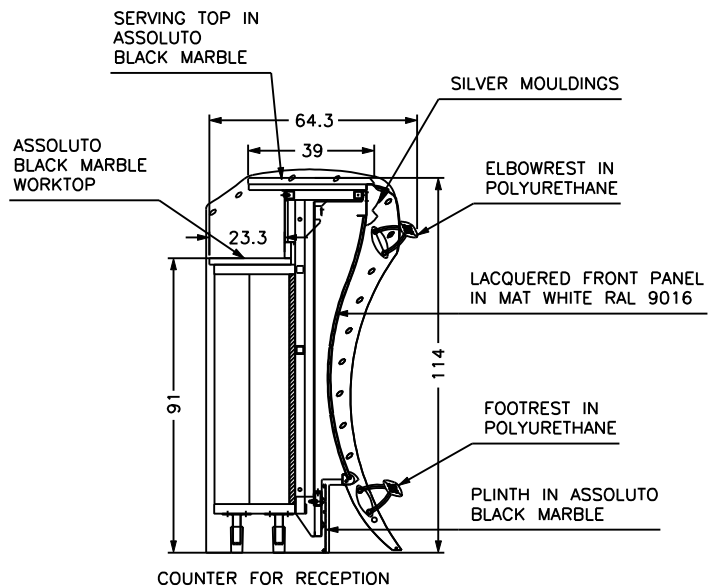
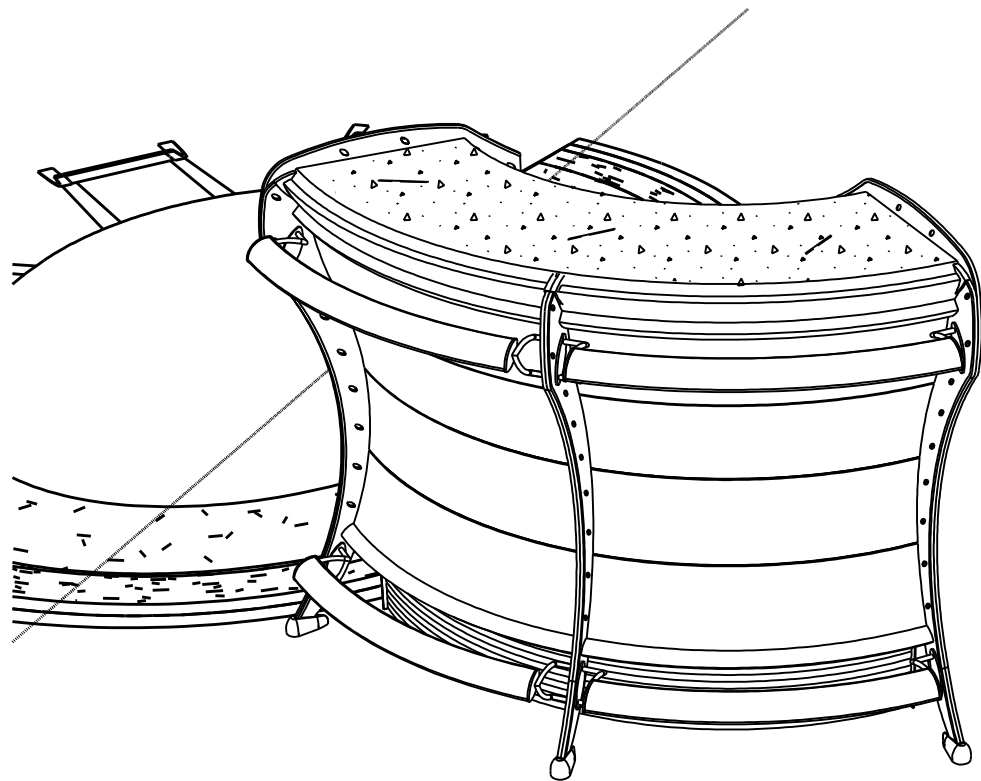
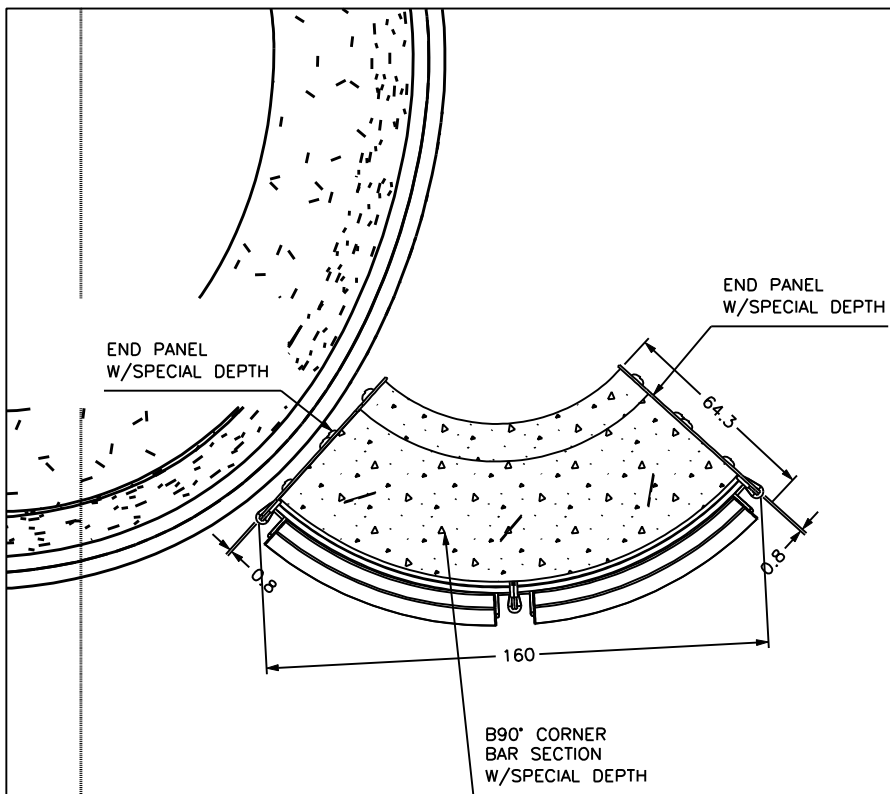



RAILS SUPPLIED SEPARATELY
(SEE ORDER CONFIRMATION OVR 3592)



File name BRIGHT09-07		Client BRIGHT LTD	
Date 09/07/2010	Last modified -	Line DOCKS TWIN	Front panel colour MAT WHITE RAL9016
Designed by F.RIGHI	Scale 1:25	Serving top ASSOLUTO BLACK MARBLE (2° GROUP)	
 PESARO - ITALY		Plinth ASSOLUTO BLACK MARBLE (2° GROUP)	
		Decorative optionalis W/RAILS IN POLYURETHANE	
		Condensing units -	
		Back counters -	
		Footboard -	
		Reference OVE	
		REF. "LE PREBEN - RECEPTION"	